

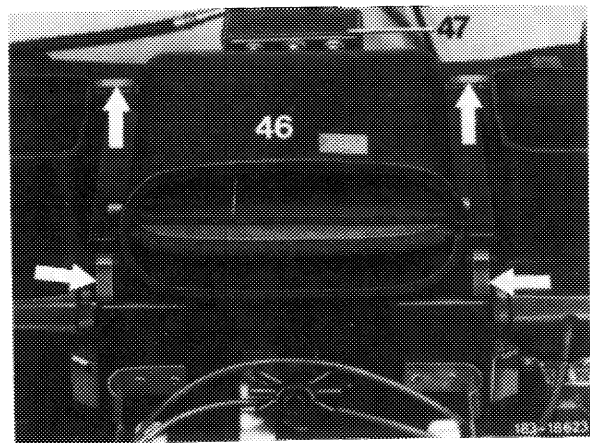
83-110 Removal and installation of heat exchanger

Removal

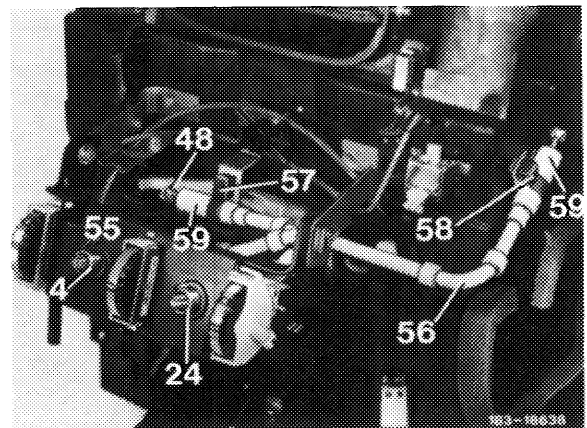
1 Remove heater unit (83-100).

2 Remove clamps (see arrow) on cover (6) for air outlet center with a screwdriver and lift off cover (46) of heater unit.

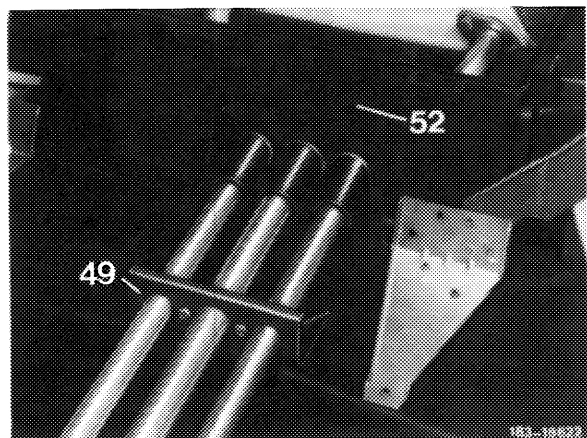
3 Remove rubber seal (47) at water pipes.



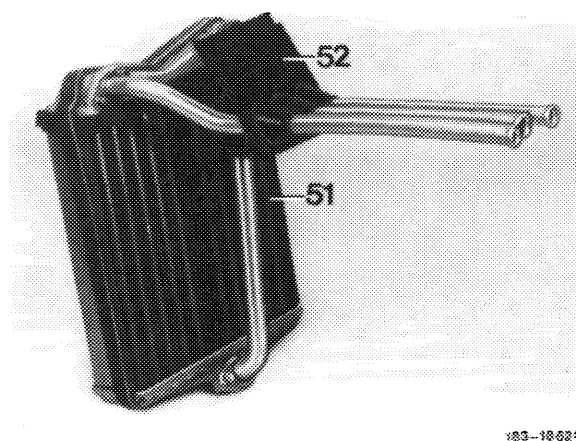
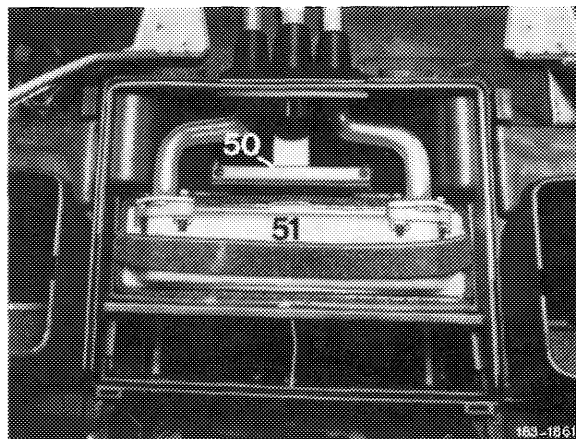
4 Detach Bowden cable (48) for leg room flaps and open legroom flaps.



5 Unscrew retaining bracket (49) from evaporator housing.

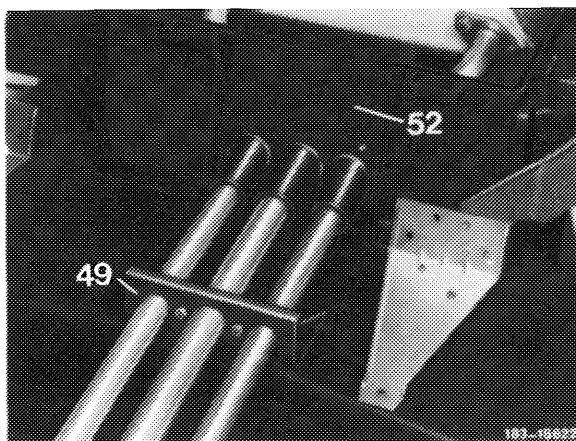


6 Unscrew retaining bracket (50) from heater unit and lift heat exchanger (51) upward out of heater unit.

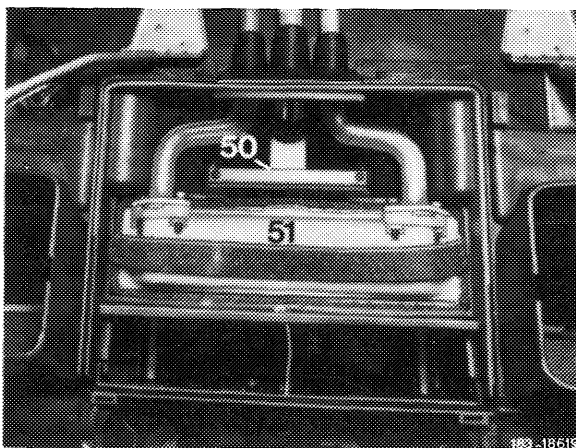


Installation

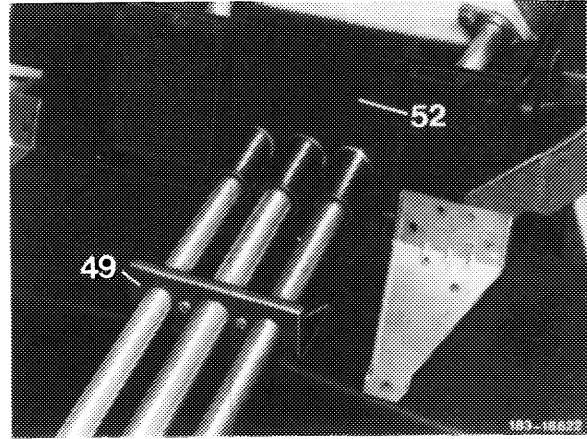
7 Insert heat exchanger (51) from above into heater unit and ensure that the rubber seal (52) is correctly positioned in the heater unit.



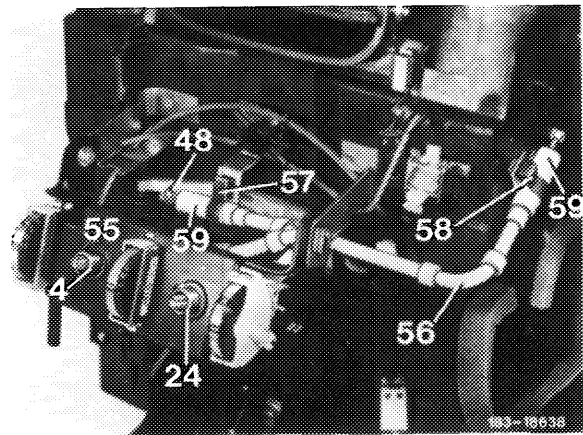
8 Fit retaining bracket (50) to heater unit.



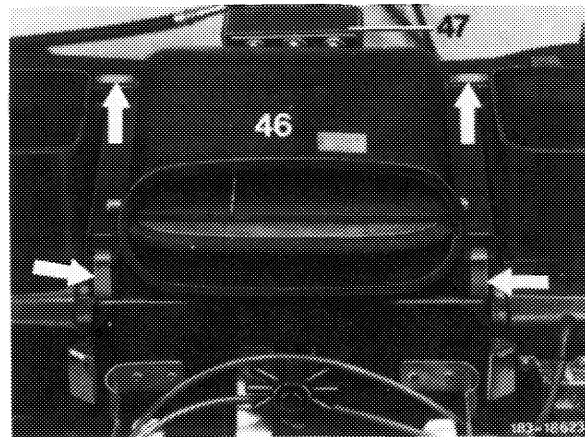
9 Screw retaining bracket (49) to evaporator housing.



10 Insert Bowden cable (48) for leg room flaps and check function of leg room flaps.



11 Fit rubber seal (47) to water pipes.



12 Mount cover (46) on heater unit and install with clamps (see arrow).

13 Install heater unit (83-100).

14 Check function of automatic heating system.

